

Sanitary manhole cover

Circular manhole cover with pressure YAA-type



This mode manhole cover is mainly used in pressure tank in food, wine, beverage, and pharmaceutical industries.

Opening model: outward type

Hand wheel: plastic or stainless steel. Standard plastic

Sight glass: flange type or union type. Standard without sight glass

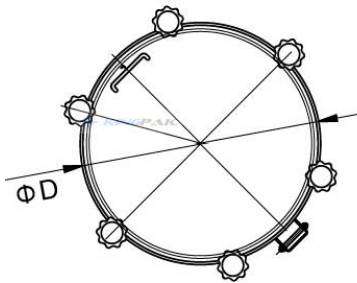
Internal surface: Ra 0.8um-0.5um

External surface: polished, matte, shot-blasting

Gasket: EPDM, NBR, Silicone, FPM. Max. Pressure: 5.0bar

Material: AISI 304/316L (DIN-1.4301/1.4404) Height: 100mm, 120mm, 150mm

The amount of hand wheels, heights and thickness can be adjusted by the customers' requirements.



Technical parameter			
ΦD	Height	t	Kg
400.0	120.0	3.0	
430.0	120.0	3.0	
450.0	120.0	3.0	
500.0	120.0	3.0	
600.0	120.0	4.0	

Circular manhole cover without pressure YAB-type



This mode manhole cover is mainly used in tanks in food, wine, beverage, and pharmaceutical industries.

Opening model: outward type

Hand wheel: plastic or stainless steel. Standard plastic

Internal surface: Ra 0.8um-0.5um

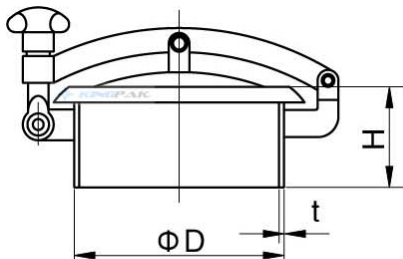
External surface: polished, matte, shot-blasting

Gasket: EPDM, NBR, Silicone, FPM. Max. Pressure: 1.0bar

Material: AISI 304/316L (DIN-1.4301/1.4404)

Height: 100mm, 120mm, 150m

The heights and thickness can be adjusted by the customers' requirements.



Technical parameter			
ΦD	Height	t	Kg
400.0	100.0	2.0	
430.0	100.0	2.5	
450.0	100.0	2.5	
500.0	100.0	3.0	
600.0	100.0	4.0	

Elliptic manhole cover with pressure YAC-type



This mode manhole cover is mainly used in pressure tanks in food, wine, beverage, and pharmaceutical industries.

Opening model: Inward type

Handle: Spanner handle or hand wheel handle. Standard spanner handle

Internal surface: Ra 0.8um-0.5um

External surface: polished, matte, shot-blasting

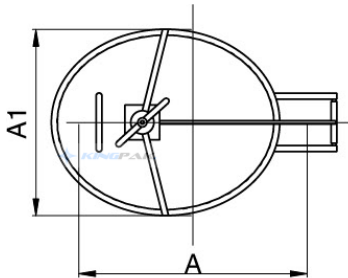
Gasket: EPDM, NBR, Silicone, FPM.

Max. Pressure: 3.0bar

Material: AISI 304/316L (DIN-1.4301/1.4404)

Height: 75mm, 100mm, 120mm, 150m

The heights and thickness can be adjusted by the customers' requirements.



Technical parameter				
A	A1	Height	t	Kg
430.0	330.0	75.0	8.0	
535.0	435.0	75.0	10.0	
635.0	525.0	75.0	12.0	

Elliptic manhole cover with pressure YAC-B-type



This mode manhole cover is mainly used in pressure tanks in food, wine, beverage, and pharmaceutical industries.

Opening model: Inward type

Handle: Spanner handle or hand wheel handle. Standard spanner handle

Internal surface: Ra 0.8um-0.5um

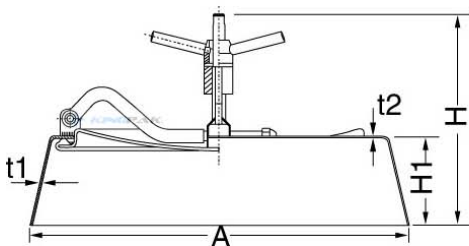
External surface: polished, matte, shot-blasting

Gasket: EPDM, NBR, Silicone, FPM. Max. Pressure: 3.0bar

Material: AISI 304/316L (DIN-1.4301/1.4404)

Height: 133mm

The heights and thickness can be adjusted by the customers' requirements.



Technical parameter						
A	A1	H1	H	t1	t2	Kg
580.0	480.0	133.0	320.0	5.0	4.0	

Square manhole cover with pressure YAE-type



This manhole cover is mainly used in pressure tanks in food, wine, beverage, and pharmaceutical industries.

Opening model: outward type

Handle: Spanner handle or hand wheel handle. Standard spanner handle

Internal surface: Ra 0.8um-0.5um

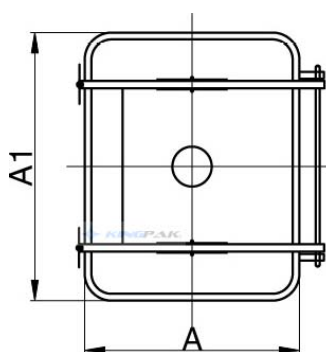
External surface: polished, matte, shot-blasting

Gasket: EPDM, NBR, Silicone, FPM. Max. Pressure: 3.0bar

Material: AISI 304/316L (DIN-1.4301/1.4404)

Height: 65mm, 80mm, 100mm, 120mm, 150mm

The heights and thickness can be adjusted by the customers' requirements.



Technical parameter				
A	A1	Height	t	Kg
330.0	430.0	65.0	8.0	
435.0	512.0	100.0	10.0	